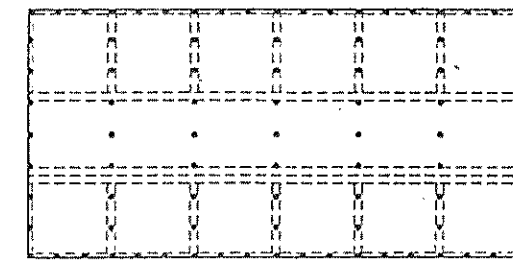


SPECIAL NOTES:

CONTRACTOR TO SURVEY EXISTING FRAMING TO INSURE WORK COMPLETED TO DATE IS IN COMPLIANCE WITH 110mph CONNECTION SCHEDULE [Details 1 & 2 ON DWG. S-1]

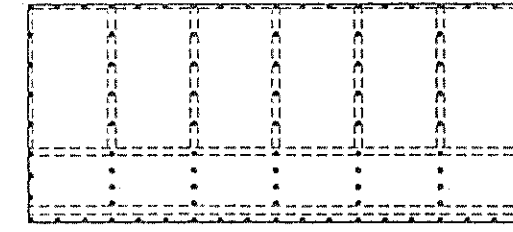
CONTRACTOR TO CORRECT OR ADD CONNECTIONS AS REQUIRED

CONTRACTOR TO CALL THE BUILDING DEPT. FOR A CONNECTION INSPECTION - AFTER FRAMING CHANGES ARE COMPLETED PER DRAWINGS FOR THIS PROJECT



NAILING PATTERN AT WALL ASSEMBLY TO WALL ASSEMBLY CONNECTION

4x8 PLYWOOD SHEATHING
PROVIDE 6d COMMON NAILS @ 6" O.C. AT EDGES & AT STUD LOCATIONS.

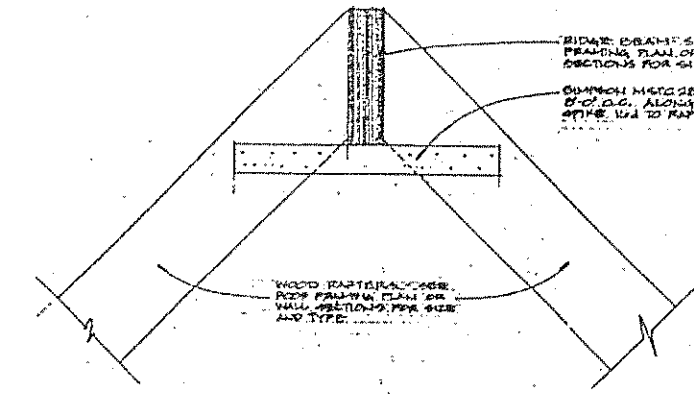


NAILING PATTERN AT WALL ASSEMBLY TO FOUNDATION PLATE CONNECTION

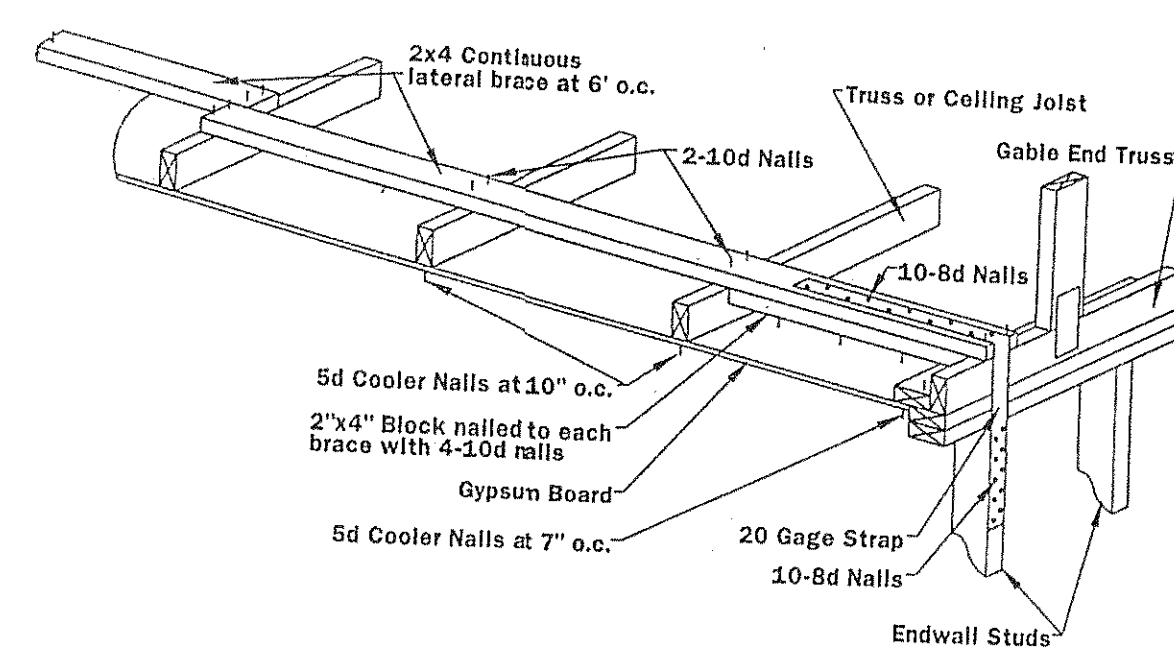
4x8 PLYWOOD SHEATHING
PROVIDE 6d COMMON NAILS @ 6" O.C. AT EDGES & AT STUD LOCATIONS.

PROVIDE 6d COMMON NAILS @ 3 1/2" O.C. BELOW SHEATHING (AT STUD LOCATIONS)

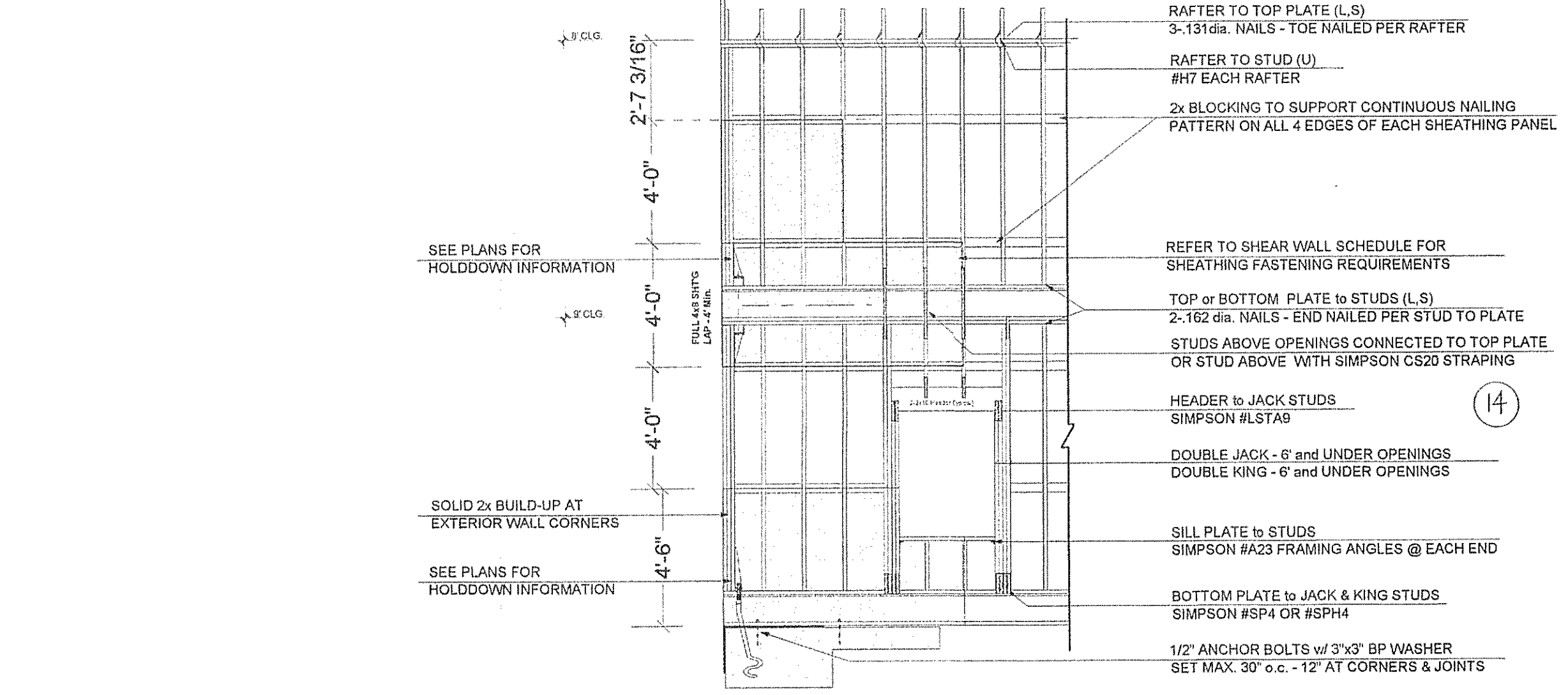
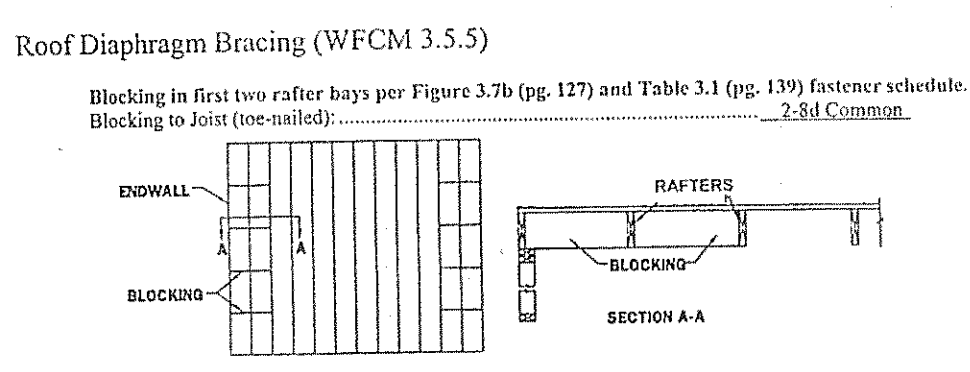
18 PLYWOOD NAILING PATTERN
SCALE: 3/8" = 1'-0"



2 RAFTER-TO-RAFTER TIE

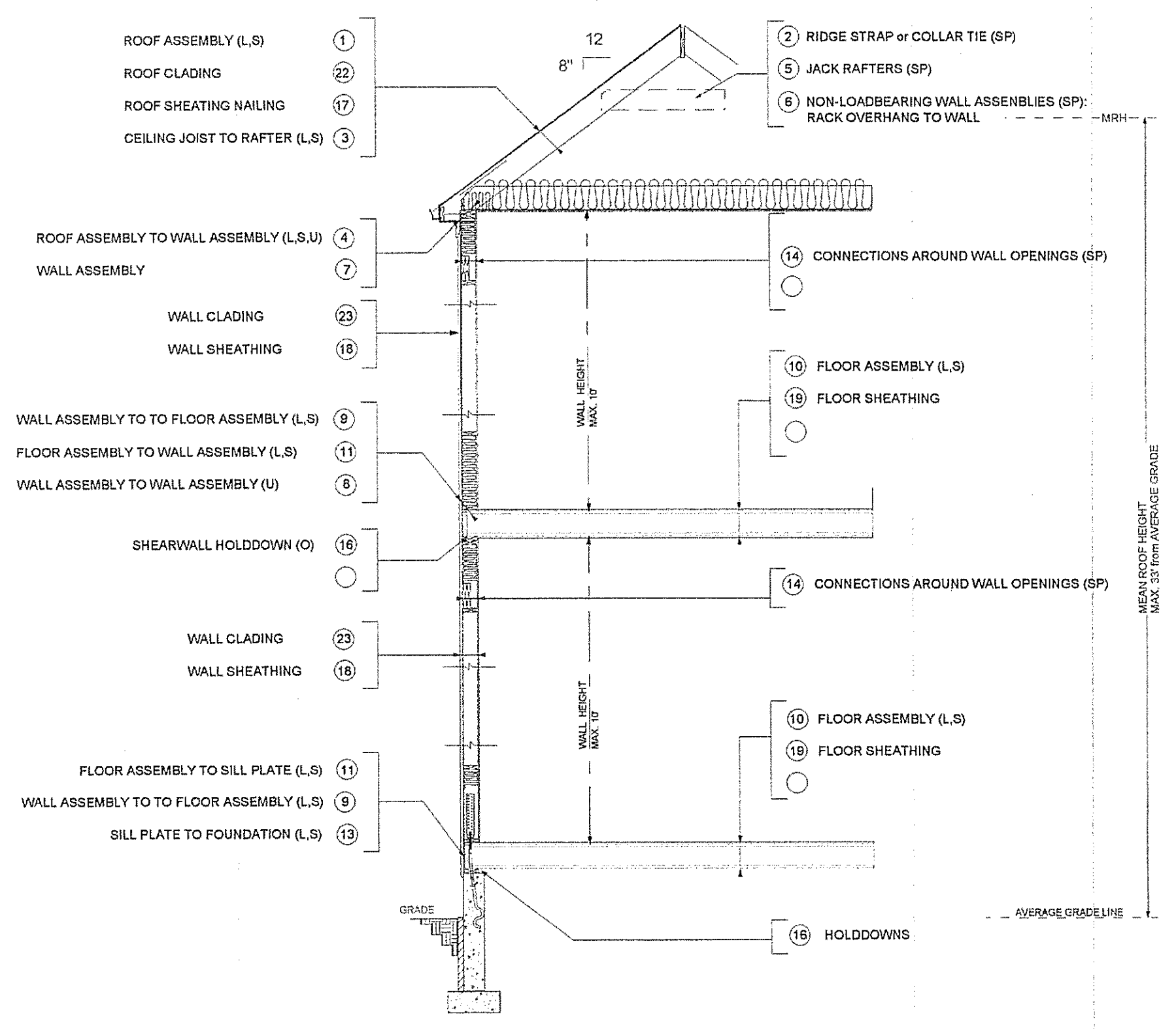


8 FLOOR-TO-FLOOR TIE



1 ELEVATION - CONNECTOR LOCATIONS w/ WALL OPENING STRAPPING
NOT TO SCALE

FRAMING CONNECTION SCHEDULE (110mph Wind Zone)		
3.2.1 LATERAL FRAMING (L) AND SHEAR CONNECTIONS (S)		
ROOF ASSEMBLY		Detail 1
RAFTER TO TOP PLATE	3 #8d Per RAFTER	
CEILING JOIST TO TOP PLATE	3 #8d Per JOIST	
CEILING JOIST TO PARALLEL RAFTER	3 #16d Each Lap	
CEILING JOIST LAPS OVER PARTITIONS	3 #16d Each Lap	
COLLAR TIE TO RAFTER	2 #8d Per Tie	
BLOCKING TO RAFTER	2 #8d Each End	
RIM BOARD TO RAFTER	2 #16d Each End	
ROOF ASSEMBLY TO WALL ASSEMBLY		Detail 4
RAFTER/C.G. JOIST TO TOP PLATE	3 #8d @ Each Assembly	
ROOF TRUSS TO TOP PLATE	SEE MFG'S Installation Sheets	
WALL ASSEMBLY		Detail 7
TOP PLATE TO TOP PLATE	2 #16d Per Foot	
TOP PLATE TO INTERSECTIONS	4 #16d Joints Each Side	
STUD TO STUD	2 #16d @ 2' o.c.	
HEADER TO HEADER	#16d @ 16' o.c. Along Edge	
BOTTOM PLATE TO STUD	2 #16d Per Stud	
TOP PLATE TO STUD	2 #16d Per Stud	
WALL ASSEMBLY TO FLOOR ASSEMBLY		Detail 8
BOTTOM PLATE TO FLOOR JOIST	2 #16d Per Foot	
BOTTOM PLATE TO BAND JOIST	2 #16d Per Foot	
BOTTOM PLATE TO END JOIST	2 #16d Per Foot	
BOTTOM TO BLOCKING	2 #16d Per Foot	
FLOOR ASSEMBLY		Detail 10
JOIST TO SILL	4 #8d Per JOIST	
JOIST TO TOP PLATE	4 #8d Per JOIST	
JOIST TO GIRDER	4 #8d Per JOIST	
BLOCKING TO JOIST	2 #8d Each End	
BAND JOIST TO JOIST	3 #16d Per JOIST	
OTHER:		
FLOOR ASSEMBLY TO WALL ASSEMBLY or SILL PLATE		Detail 11
BAND JOIST TO TOP PLATE	2 #16d Per Foot	Detail 11A
BAND JOIST TO SILL	2 #16d Per Foot	Detail 11B
BAND JOIST TO GIRDER	2 #16d Per Foot	Detail 11C
WALL ASSEMBLY or SILL PLATE TO FOUNDATION		Detail 13
WALL BOTTOM PLATE TO FND.	1/2" Dia. ANCHOR BOLTS w/ 3"x3" BP Washer @ 30" o.c. OR	Detail 13A
SILL PLATE TO FND.	5/8" Dia. ANCHOR BOLTS w/ 3"x3" BP Washer @ 45" o.c.	Detail 13B
3.2.2 UPLIFT CONNECTIONS (U)		
ROOF ASSEMBLY TO WALL ASSEMBLY	SIMPSON #M250 OR H8 @ Each Rafter w/ SP4 straps @ 32" o.c.	Detail 4
WALL ASSEMBLY TO WALL ASSEMBLY	SIMPSON #CS16 STRAP W/6 NAILS Each End @ 32" o.c. OR PLYWD Overlap	Detail 8
WALL ASSEMBLY TO FOUNDATION	SIMPSON #SPH4 @ 32" o.c. on all 4 elevations	Detail 12
3.2.3 OVERTURNING RESISTANCE (O)		
HOLDDOWNS	SEE PLANS	Detail 16
3.2.4 SHEATHING AND CLADDING ATTACHMENT		
ROOF SHEATHING	8d Nails @ 6" o.c. Panel Edges & 12" o.c. Field	Detail 17
WALL SHEATHING	8d Nails @ 6" o.c. Panel Edges & 12" o.c. Field	Detail 18
FLOOR SHEATHING	8d Nails @ 6" o.c. Panel Edges & 12" o.c. Field	Detail 19
ROOF CLADDING	PER MFG'S INSTRUCTIONS FOR HIGH WIND	Detail 22
WALL CLADDING	PER MFG'S INSTRUCTIONS FOR HIGH WIND	Detail 23
3.2.4 SPECIAL CONNECTIONS (SP)		
RIDGE STRAPS	1 1/4" 20 gage STRAP @ EACH RAFTER w/4 nails each end	Detail 2
JACK RAFTERS	SIMPSON #M250 OR #H8 @ Each Rafter w/SP4 Straps @ 32" o.c.	Detail 5
NON-LOADBEARING WALL ASSEMBLIES		Detail 6
CONNECTIONS AROUND WALL OPENINGS:		Detail 14
HEADER TO STUD (L,U)	SIMPSON #LSTA9 HEADER to each JACK STUD-each side	
WINDOW SILL PLATE TO STUD (L)	SIMPSON #A23 Each Side of Opening	
TOP & BOTTOM PLATE TO FULL HT. STUDS	SIMPSON #CS20 or #SP4 Strapping @ Each King Stud	
NOTES:		
* CONNECTIONS USING NAILS ARE BASED ON NAILS WITH SHANK DIAMETERS OF .131 (8d) AND .162 (16d)		
* METAL CONNECTOR ITEM NUMBERS ARE BASED ON SIMPSON STRONG TIE CO. NOTE: CONNECTORS AS MFG. BY USP CAN BE USED IN PLACE OF NOTED FASTENER.		
ALL CONNECTION METHODS LISTED COMPLY WITH REQUIRED CONNECTIONS PER CHAPTER 3 (Prescriptive Design) OF THE 2001 WOOD FRAME CONSTRUCTION MANUAL.		



2 SECTION - CONNECTOR LOCATIONS
NOT TO SCALE

JLG Designs, LLC
 INTERIORS & BUILDING DESIGNS
 Milford, Connecticut 06460
 Phone: 203-676-2095
 E-mail: jlg-design@juno.com
 CT REGISTERED INTERIOR DESIGNER AND CT LICENSED BUILDING OFFICIAL

TOBIN RENOVATION
 79 BOTSFORD AVENUE
 MILFORD, CONNECTICUT

DRAWING No: **S-1**
 DATE: 01-28-2009
 SCALE: AS NOTED