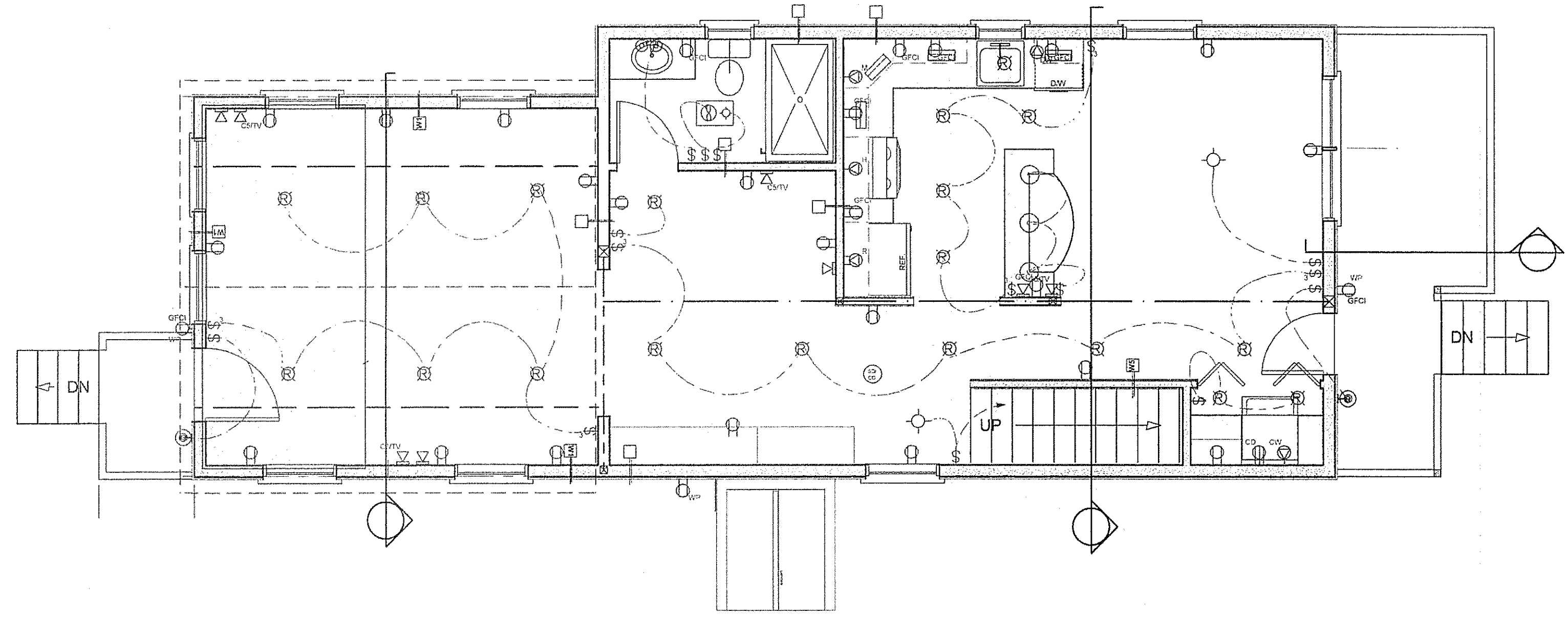
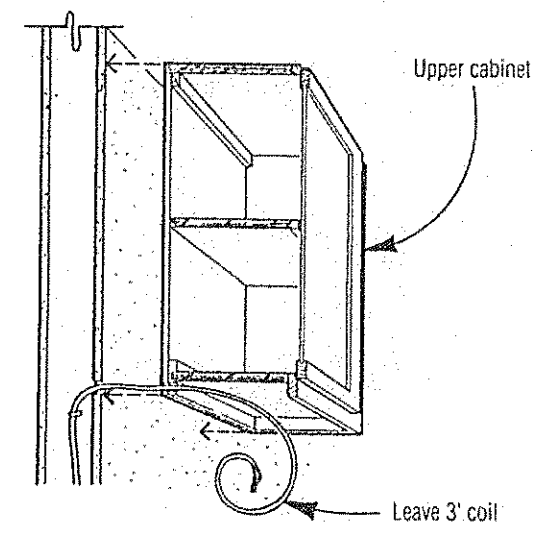


SPECIAL ELECTRICAL NOTES:

ALL EXISTING ELECTRICAL WIRING AND OUTLETS ARE TO BE REMOVED OR RELOCATED TO MEET NEW ROOM LAYOUTS

ELECTRICAL CONTRACTOR TO MOVE EXISTING METER AND SERVICE ONTO TEMPORARY OVERHEAD SERVICE POST UNTIL ALL WORK ON THE BUILDINGS EXTERIOR HAS BEEN COMPLETED.

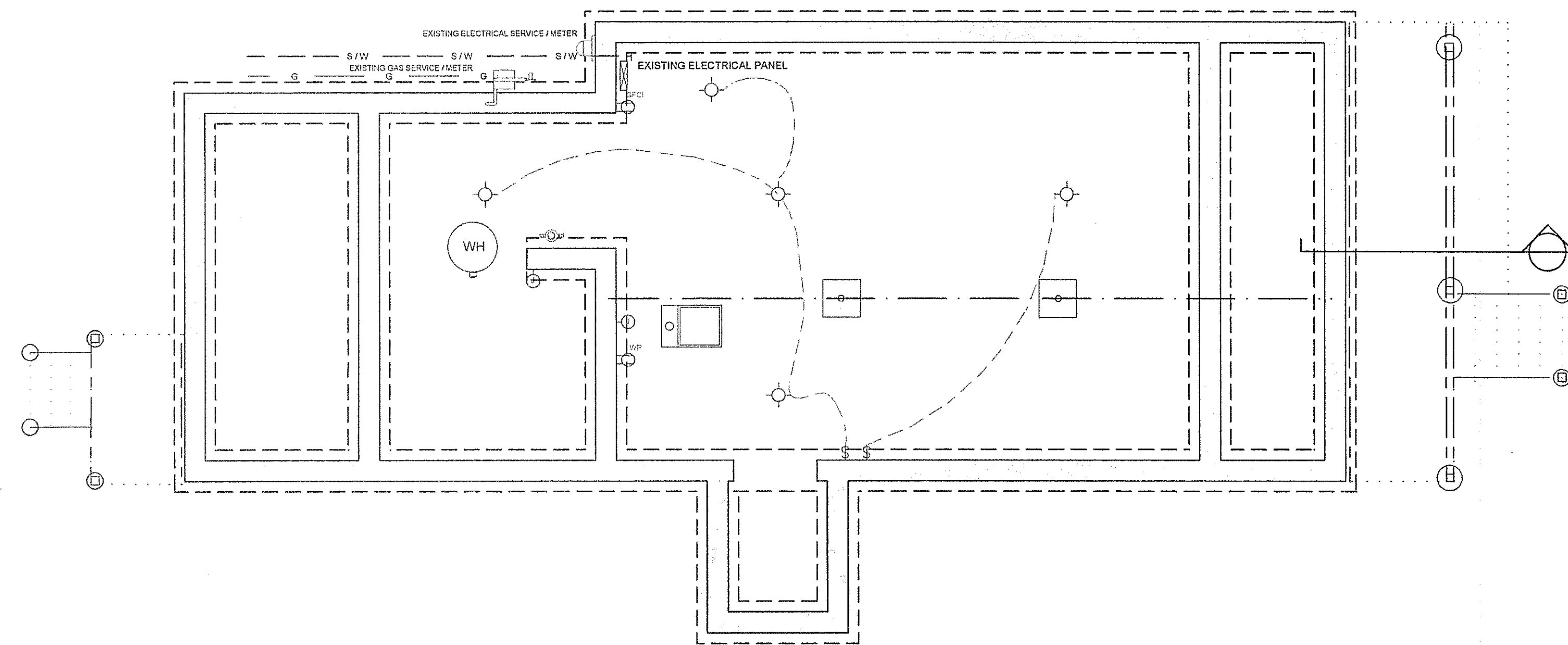
SPECIAL ELECTRICAL DETAILS:



1

FIRST FLOOR POWER & LIGHTING PLAN

1/4" = 1" - 0"



2

CELLAR POWER & LIGHTING PLAN

1/4" = 1" - 0"

REVISIONS:

THIS DRAWING IS THE PROPERTY OF THE DESIGNER. IT IS TO BE USED ONLY FOR THE PROJECT AND LOCATION SPECIFICALLY NOTED ON THIS DRAWING. NO PART OF THIS DRAWING IS TO BE REPRODUCED OR TRANSMITTED IN ANY FORM OR BY ANY MEANS, ELECTRONIC OR MECHANICAL, WITHOUT THE WRITTEN PERMISSION OF THE DESIGNER.

JLG Designs, LLC
INTERIORS & BUILDING DESIGNS

Milford, Connecticut 06460
Phone: 203-876-2095
E-mail: jlg-design@juno.com

CT REGISTERED INTERIOR DESIGNER AND CT LICENSED BUILDING OFFICIAL

TOBIN RENOVATION
79 BOTSFORD AVENUE
MILFORD, CONNECTICUT

DRAWING No.

E - 2

DATE: 01-28-2009
SCALE: AS NOTED