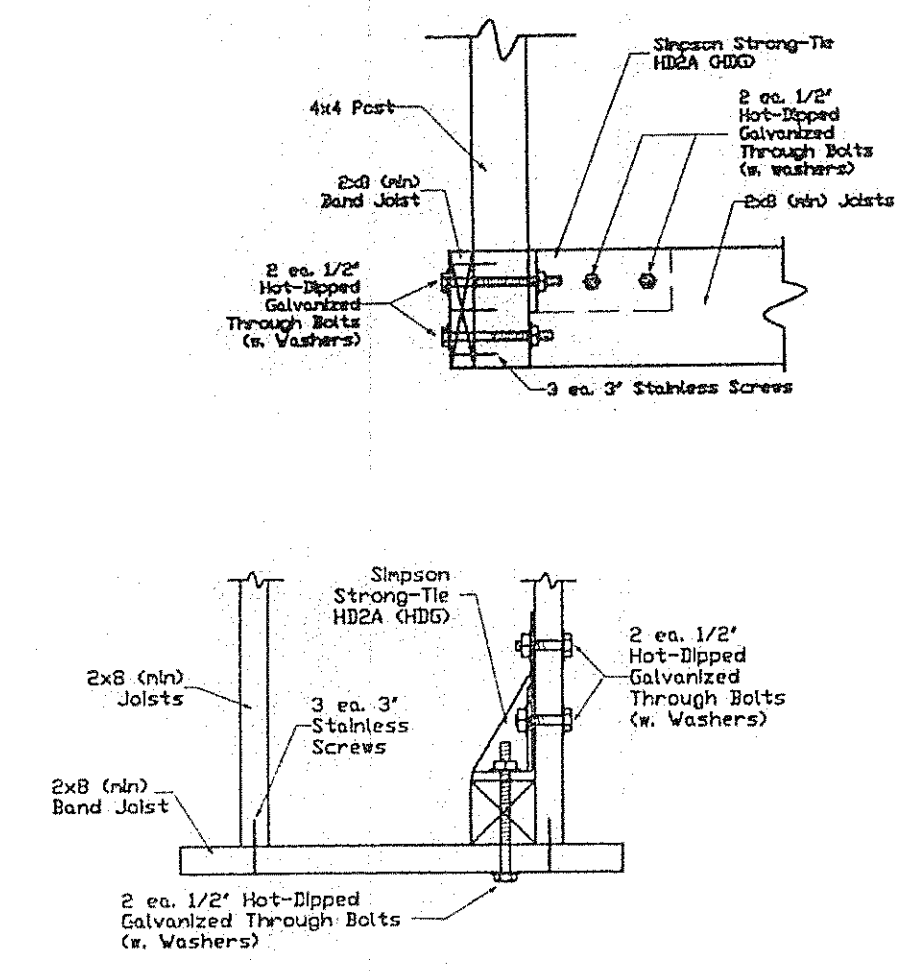
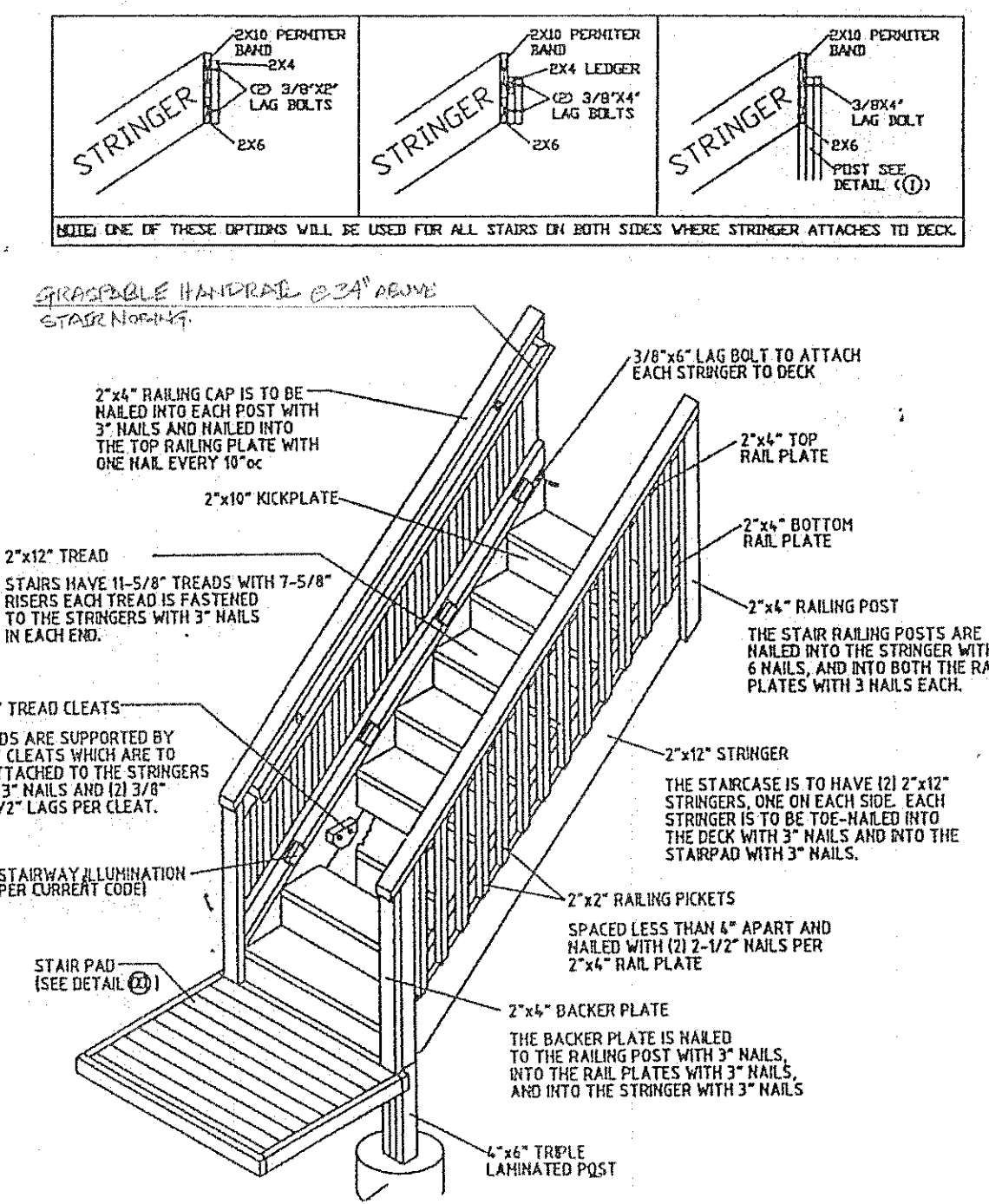


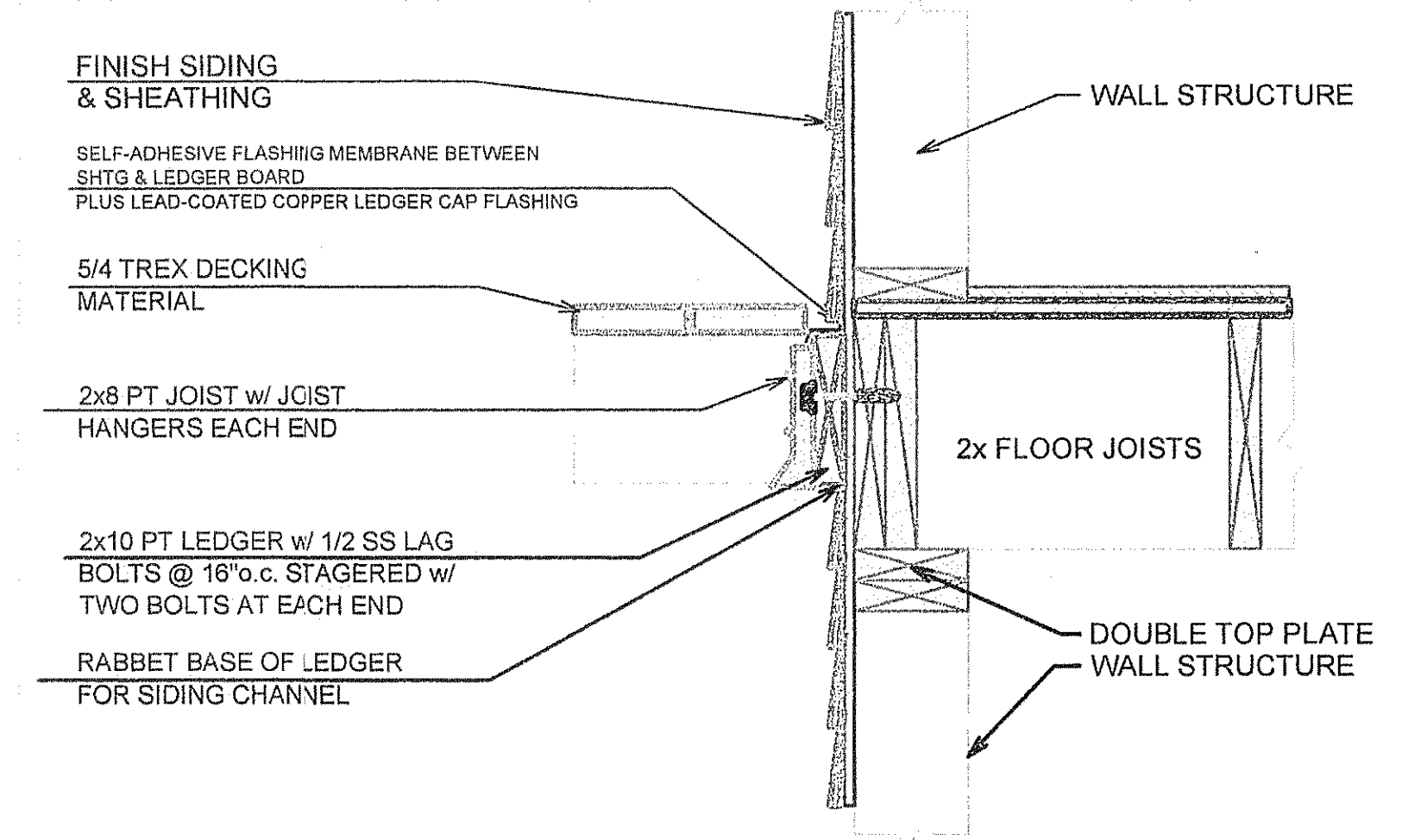
1 SECTION @ DECK
1/2" = 1' - 0"



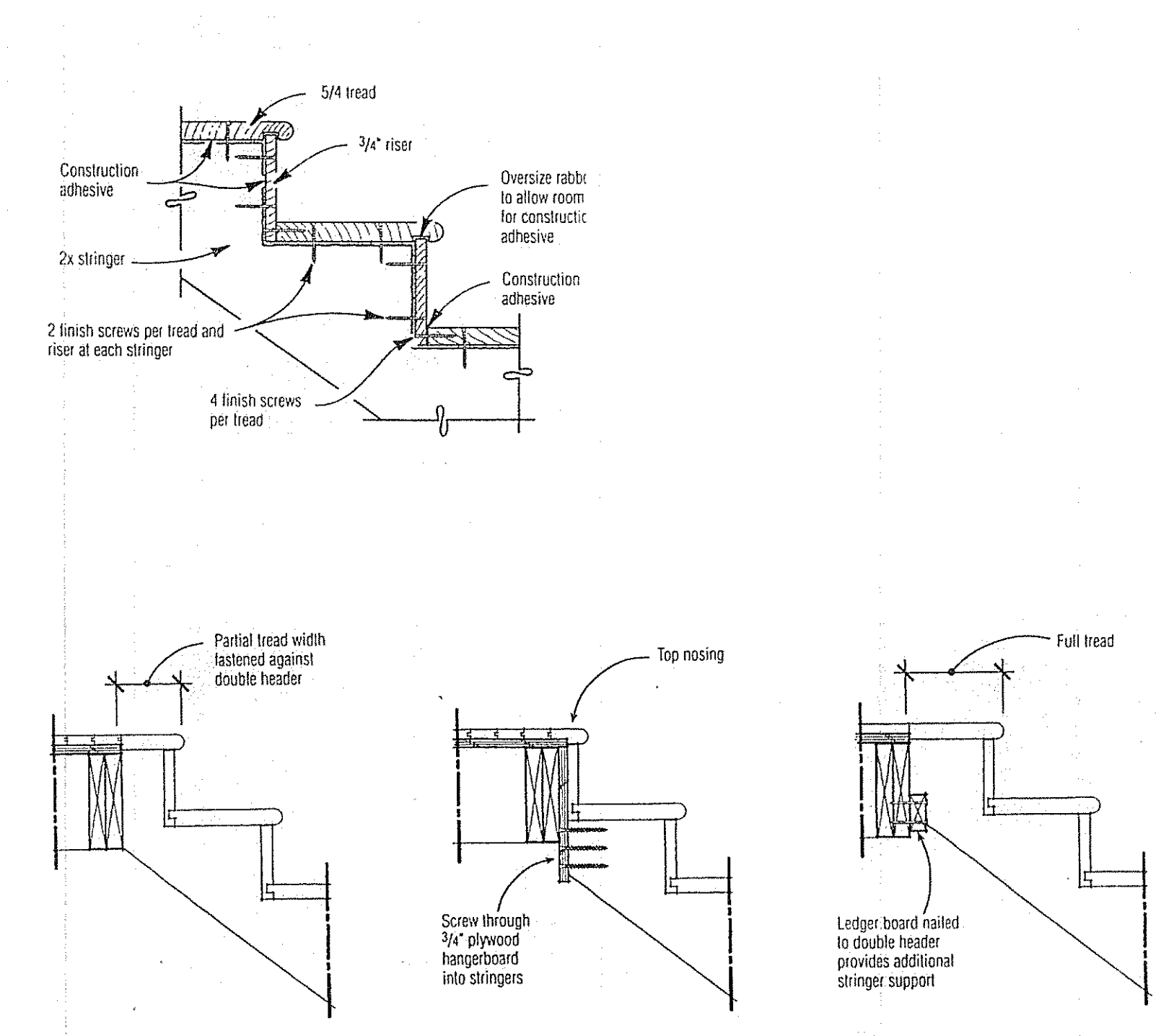
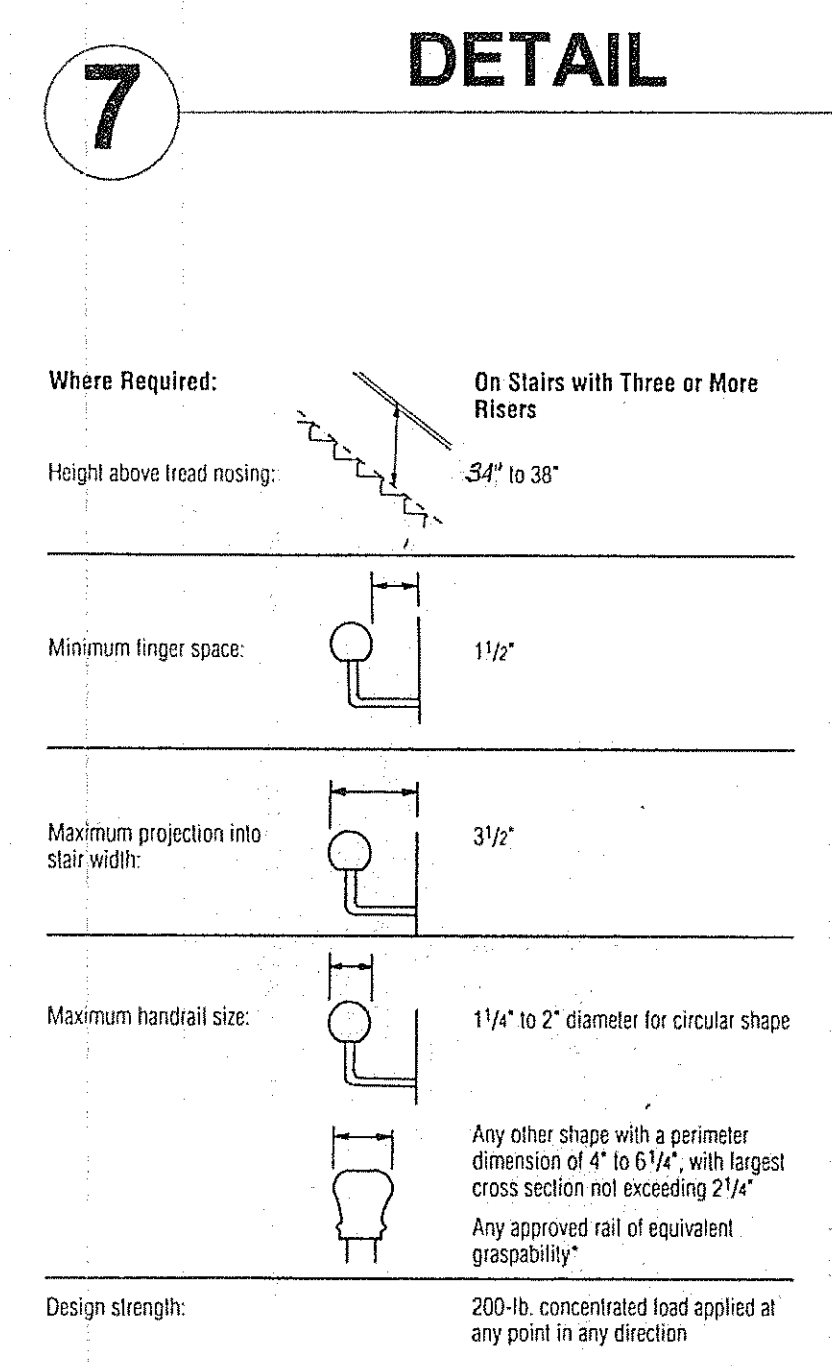
2 DETAIL @ DECK GUARD POST ANCHOR
N.T.S.



3 DETAIL - DECK STAIRS (TYP) (UP TO 6' ELEVATION & 48\"/>



4 DETAIL @ 2ND FLOOR DECK
1 1/2" = 1' - 0"



8 INTERIOR STAIR DETAILS
N.T.S.

5 DETAIL
N.T.S.

6 DETAIL
N.T.S.

REVISIONS:
 JLG Designs, LLC
 INTERIORS & BUILDING DESIGNS
 Milford, Connecticut 06460
 Phone: 203-876-2095
 E-mail: jlg-design@juno.com
 CT REGISTERED INTERIOR DESIGNER AND CT LICENSED BUILDING OFFICIAL

TOBIN RENOVATION
 79 BOTSFORD AVENUE
 MILFORD, CONNECTICUT

DRAWING NO:
A - 5
 DATE:
 01-28-2009
 SCALE:
 AS NOTED