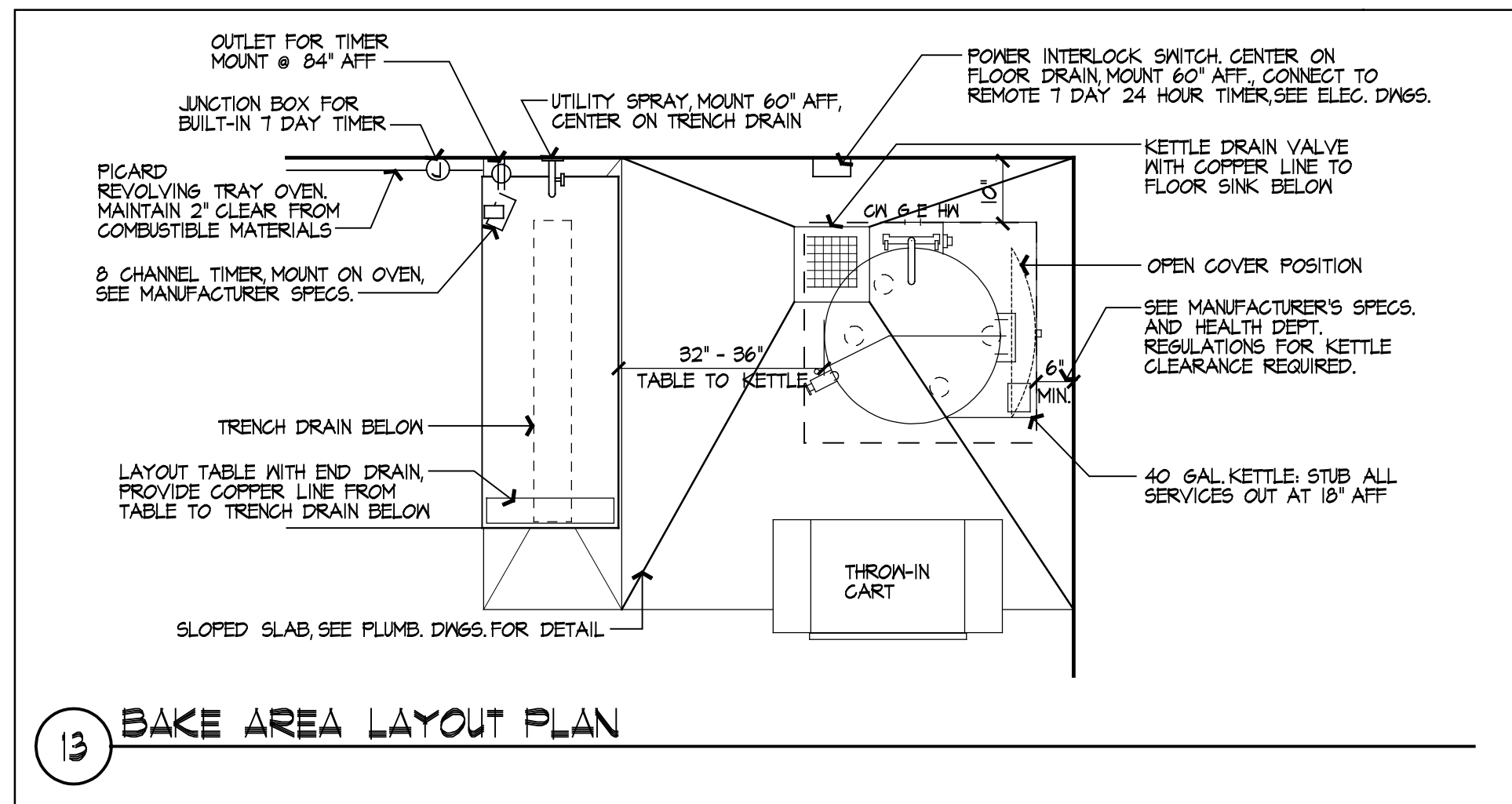
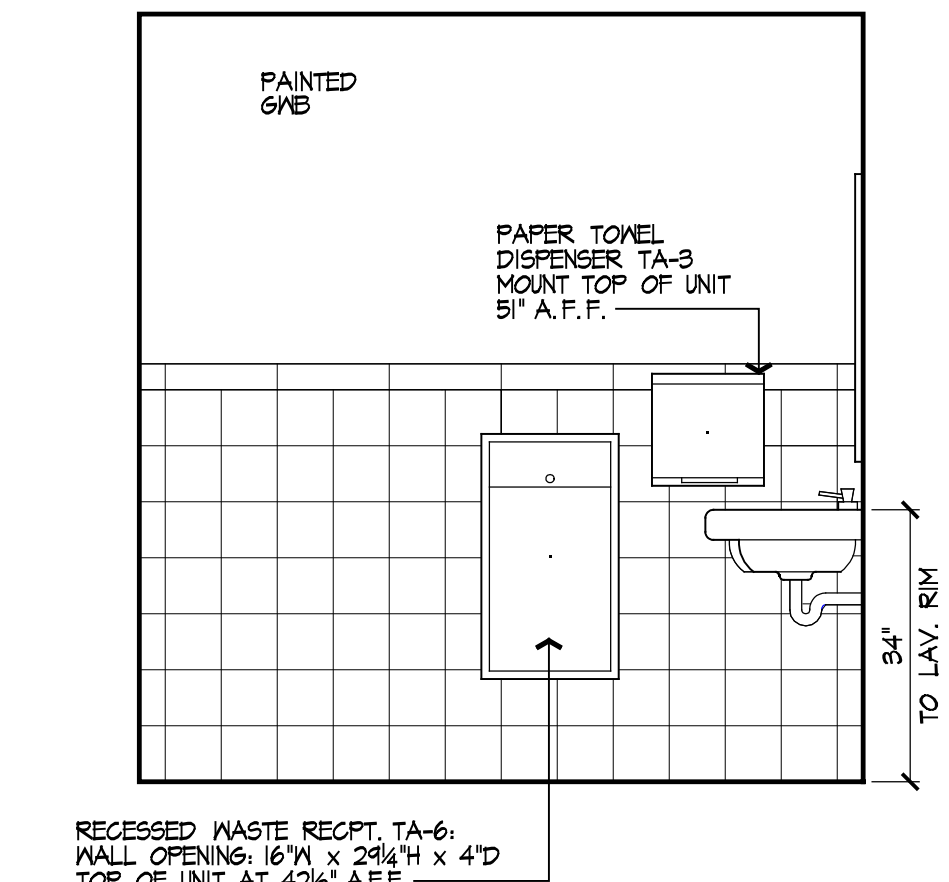
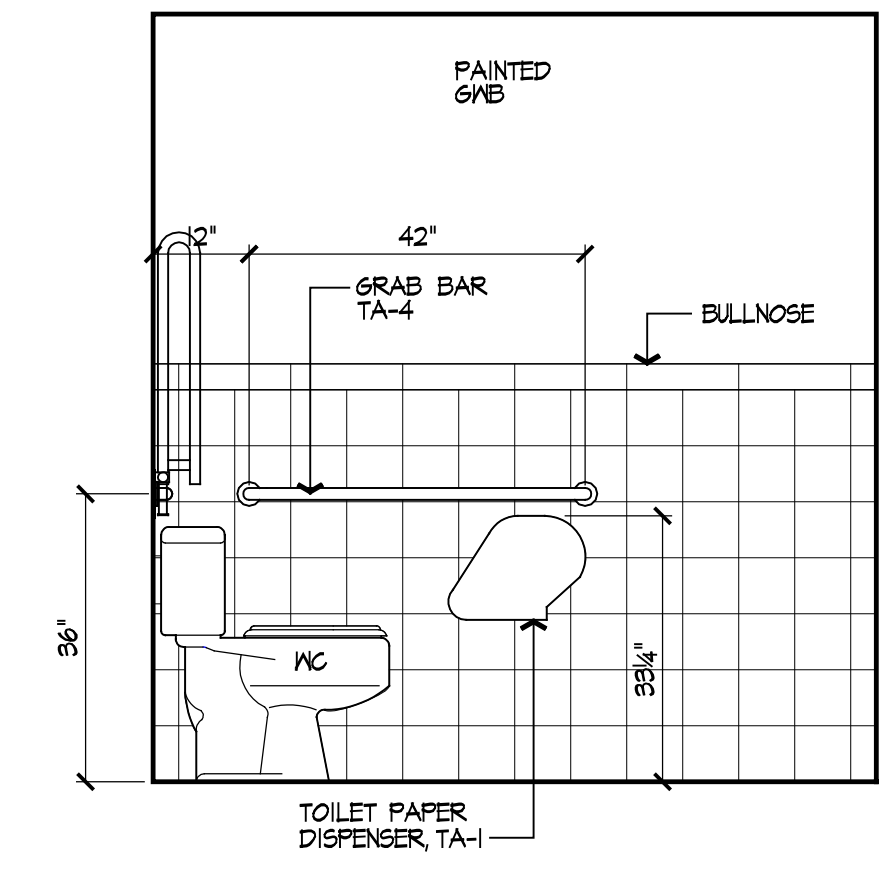
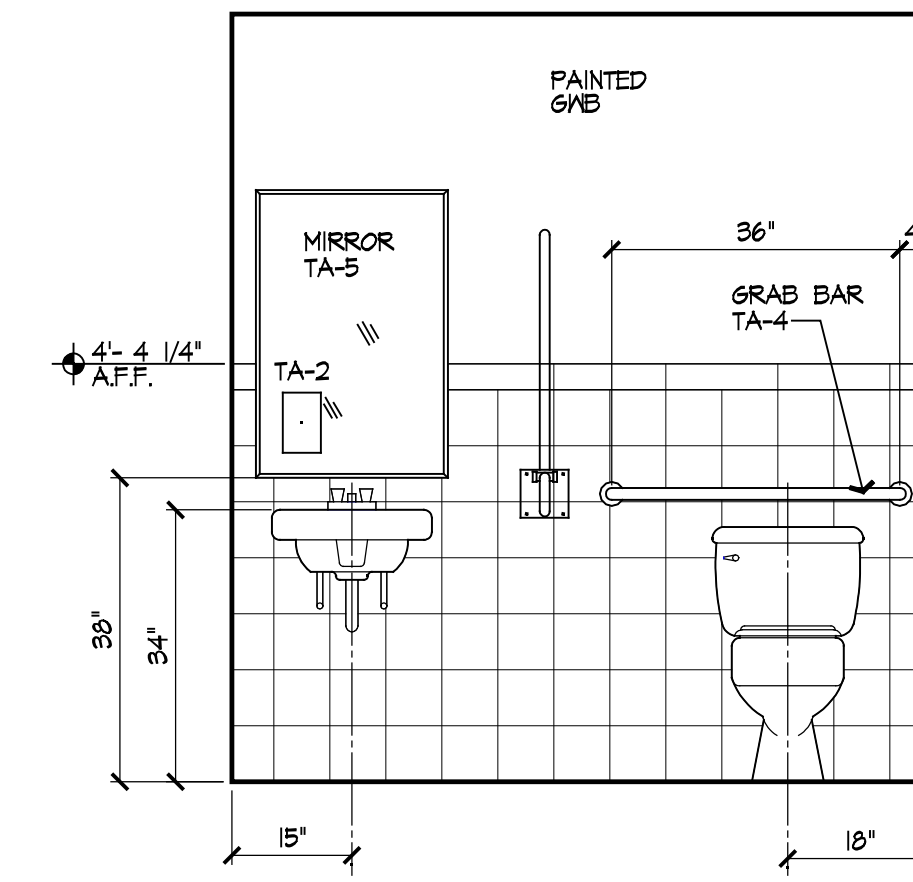


17 HALF WALL DETAIL



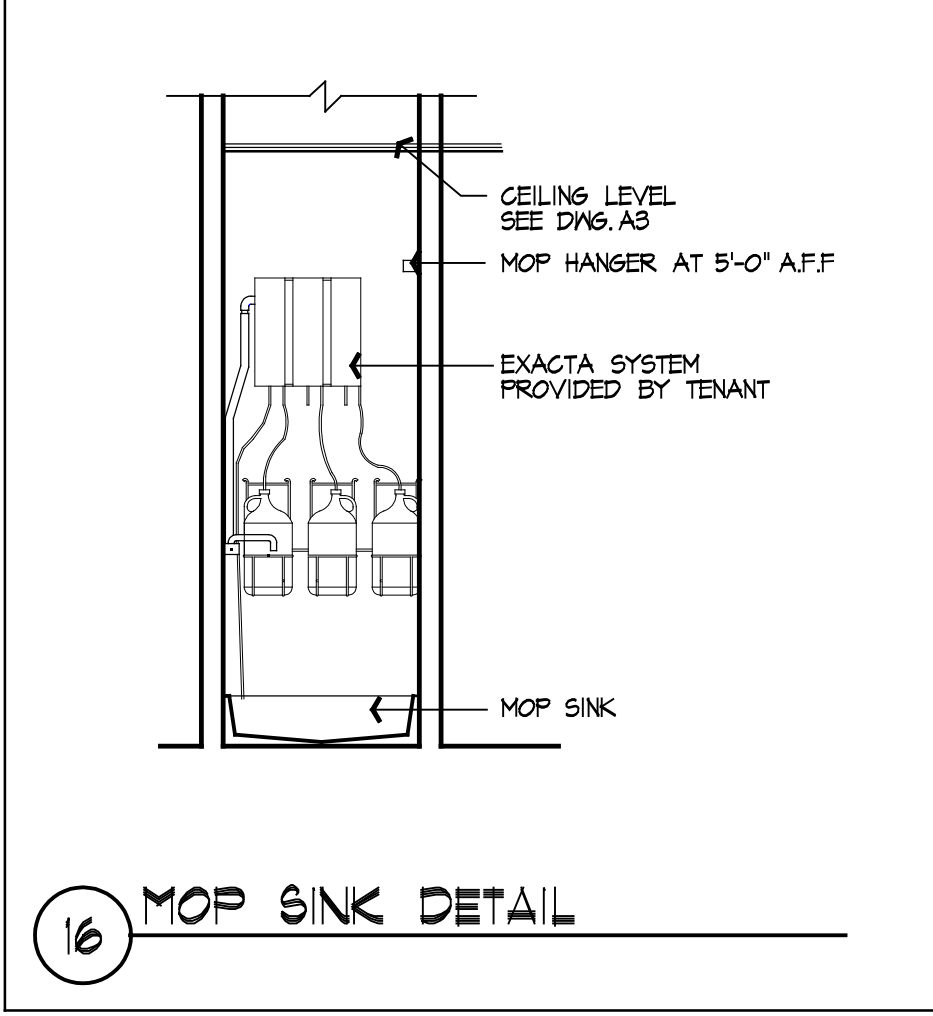
13 BAKE AREA LAYOUT PLAN



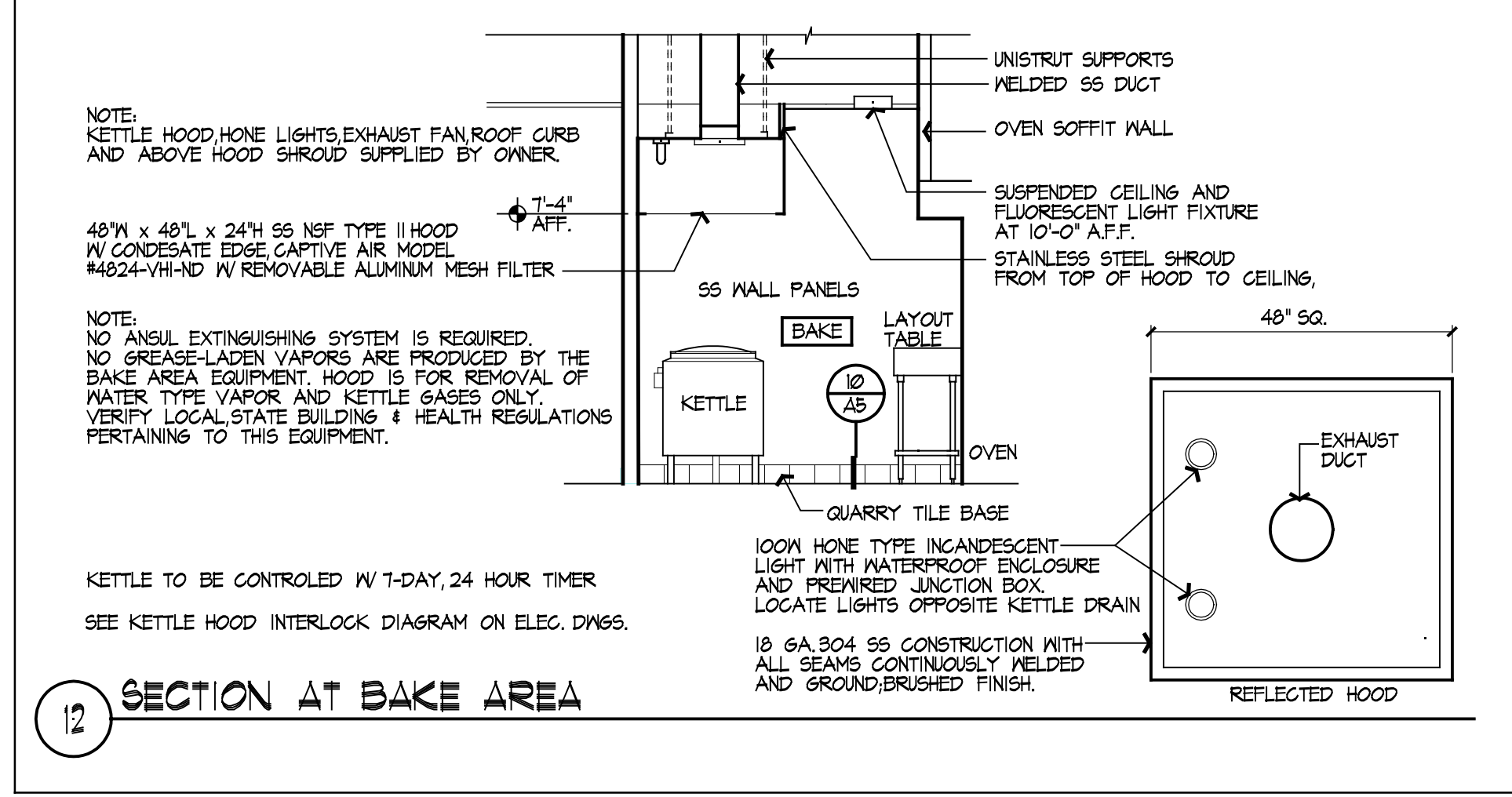
NOTES:
 1. PAPER AND SOAP DISPENSERS PROVIDED BY OTHERS, INSTALLED BY G.C.
 2. ALL OTHER BATHROOM EQUIPMENT PROVIDED BY AND INSTALLED BY G.C.
 3. SEE SHEET A1 FOR ACTUAL ROOM DIMENSIONS AND WALL CONSTRUCTION

TOILET ACCESSORIES:
 TA-1 TOILET PAPER DISPENSER: 50150 VISTA 9\"/>

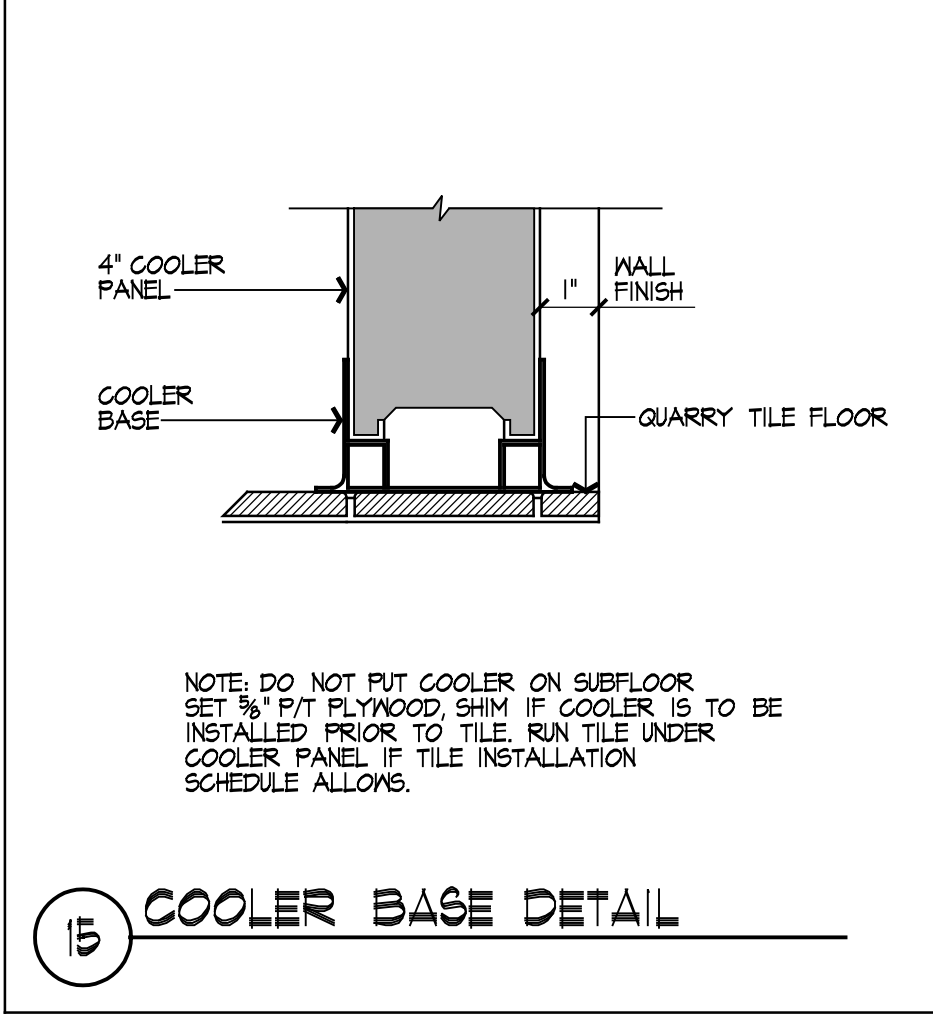
7 RESTROOM ELEVATIONS & DETAIL



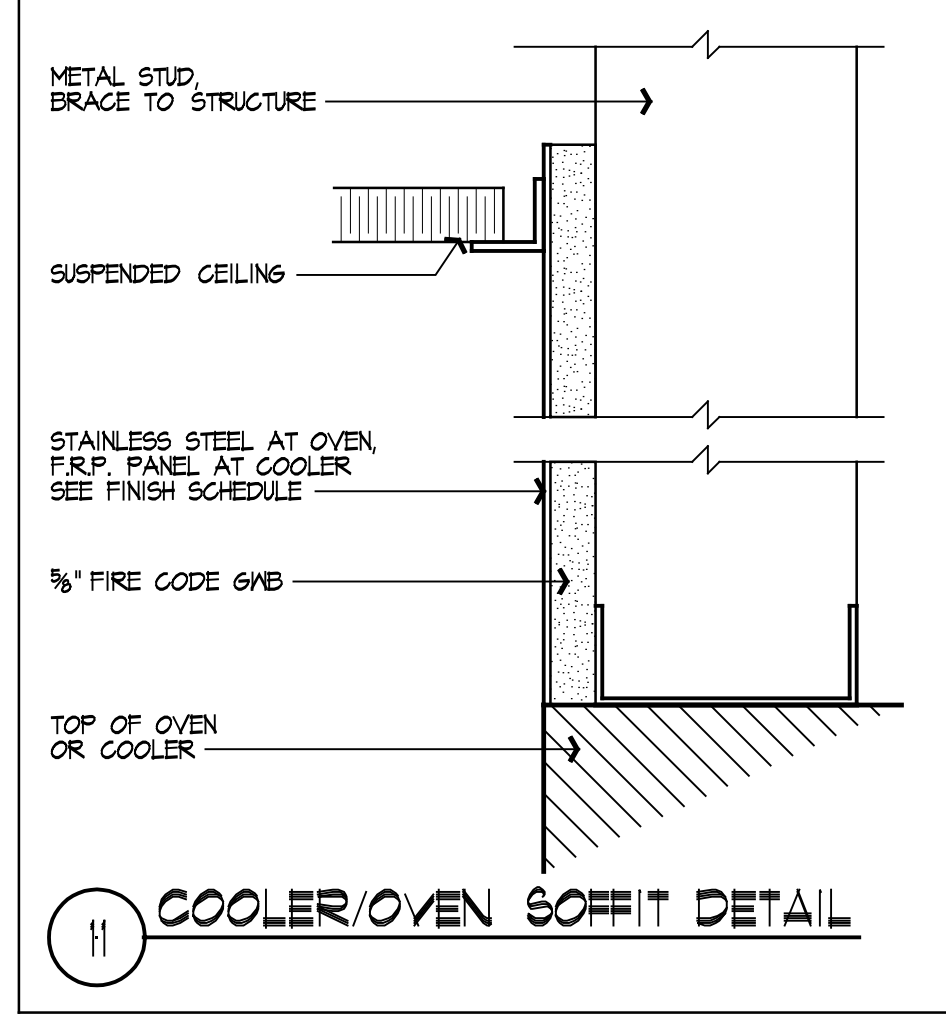
16 MOP SINK DETAIL



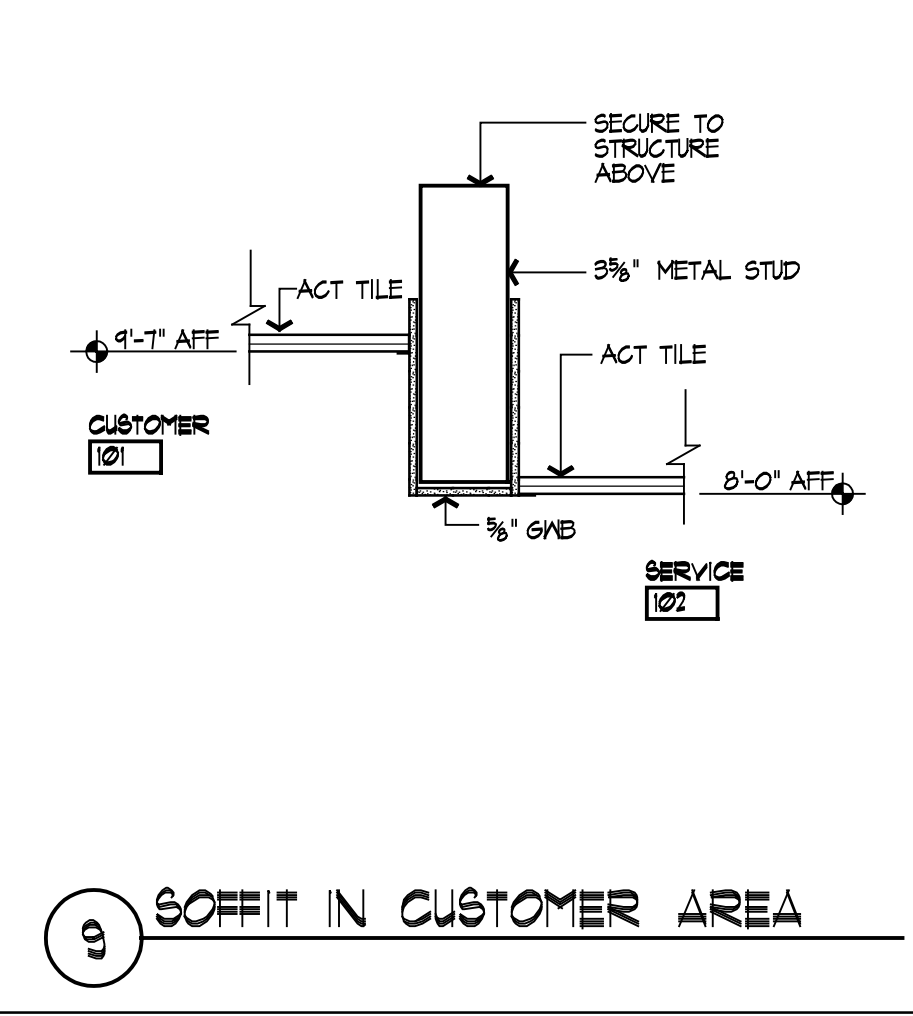
12 SECTION AT BAKE AREA



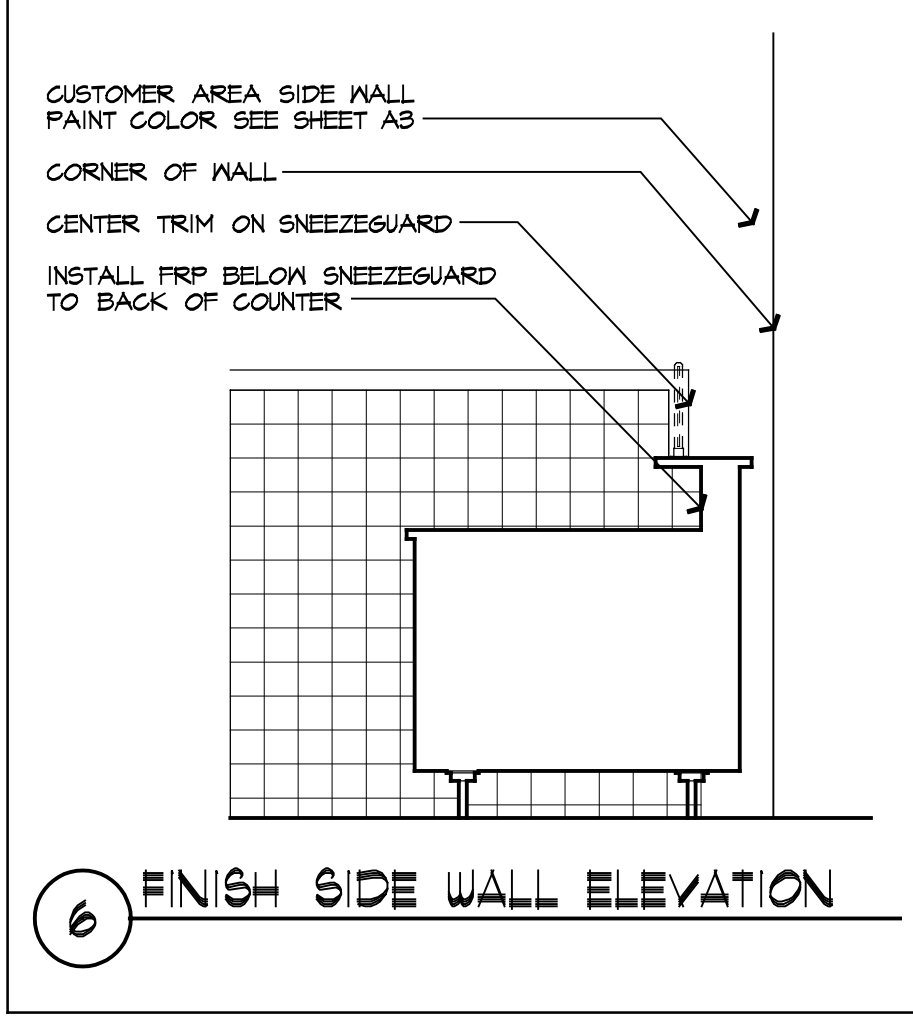
15 COOLER BASE DETAIL



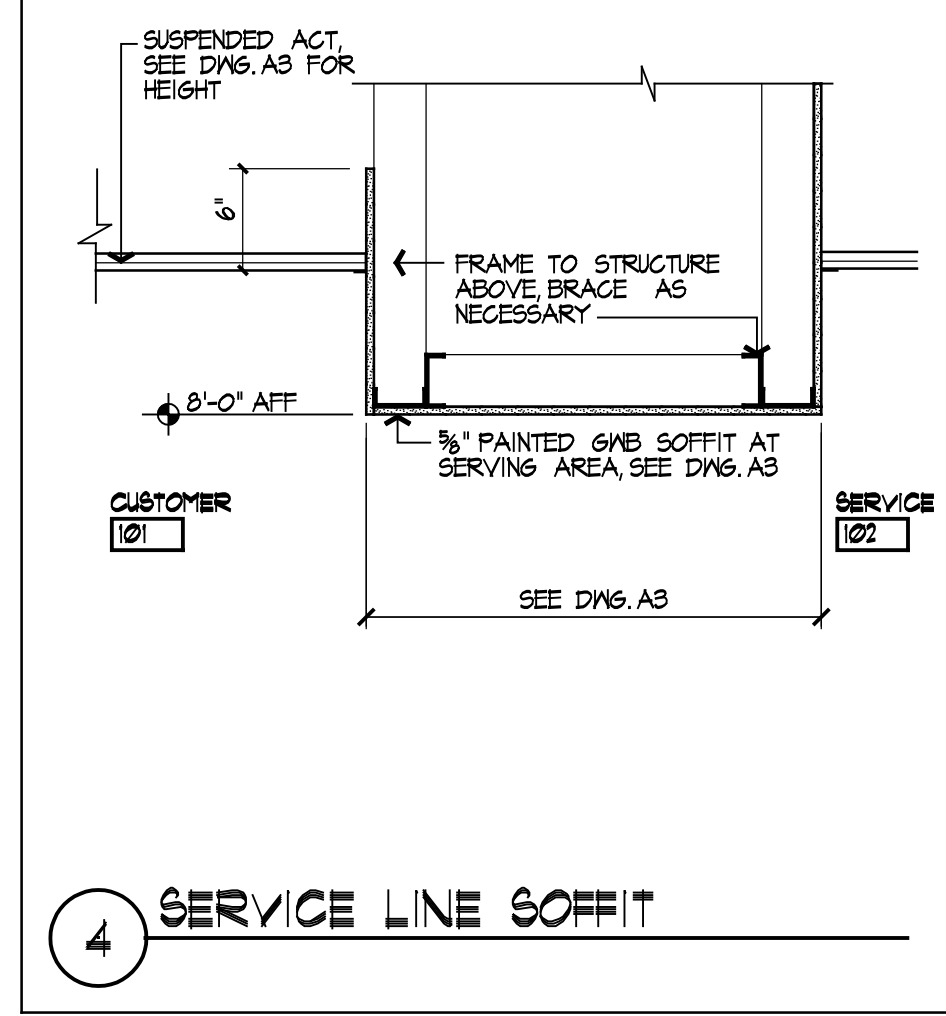
11 COOLER/OVEN SOFFIT DETAIL



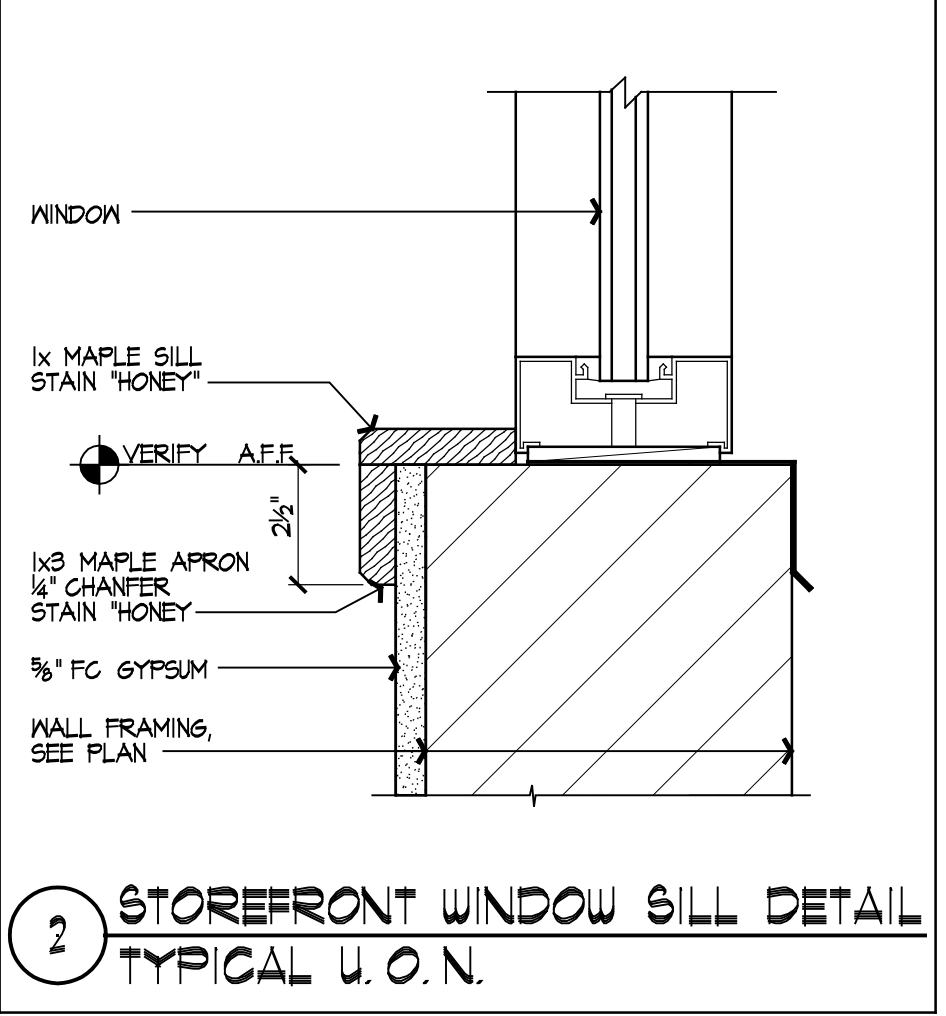
9 SOFFIT IN CUSTOMER AREA



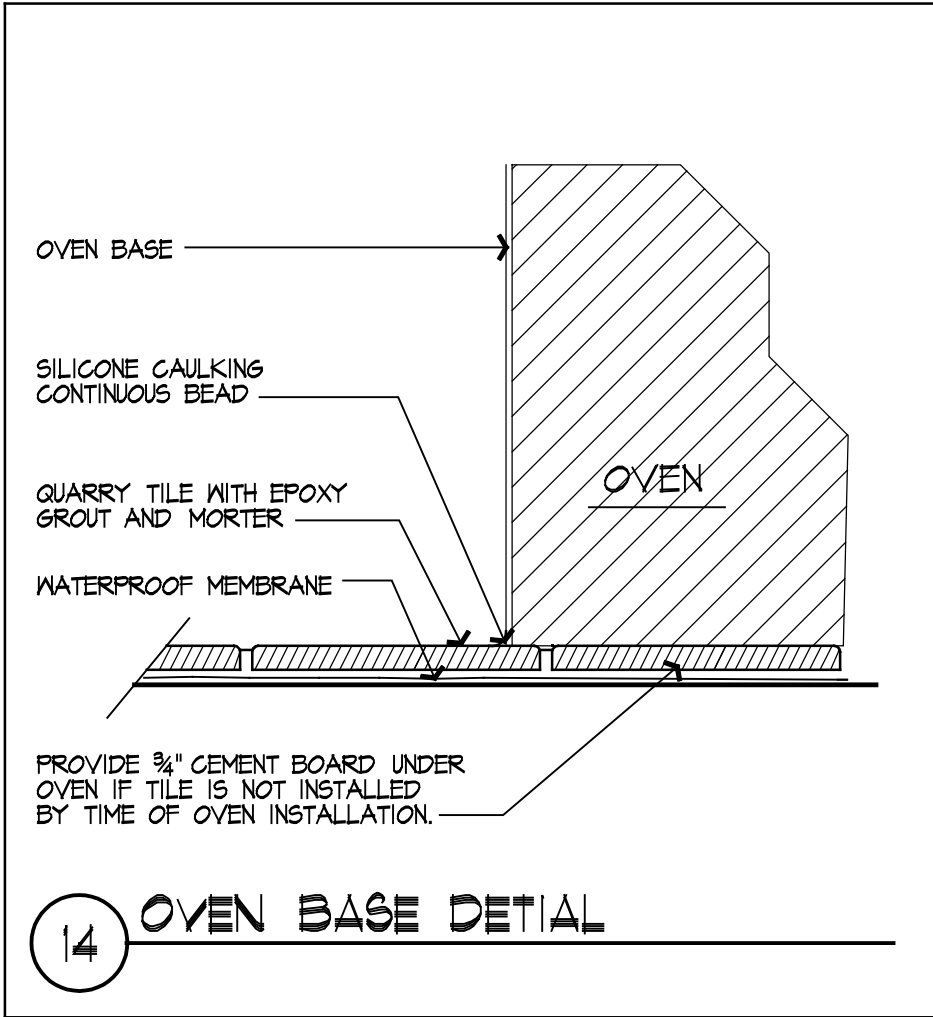
6 FINISH SIDE WALL ELEVATION



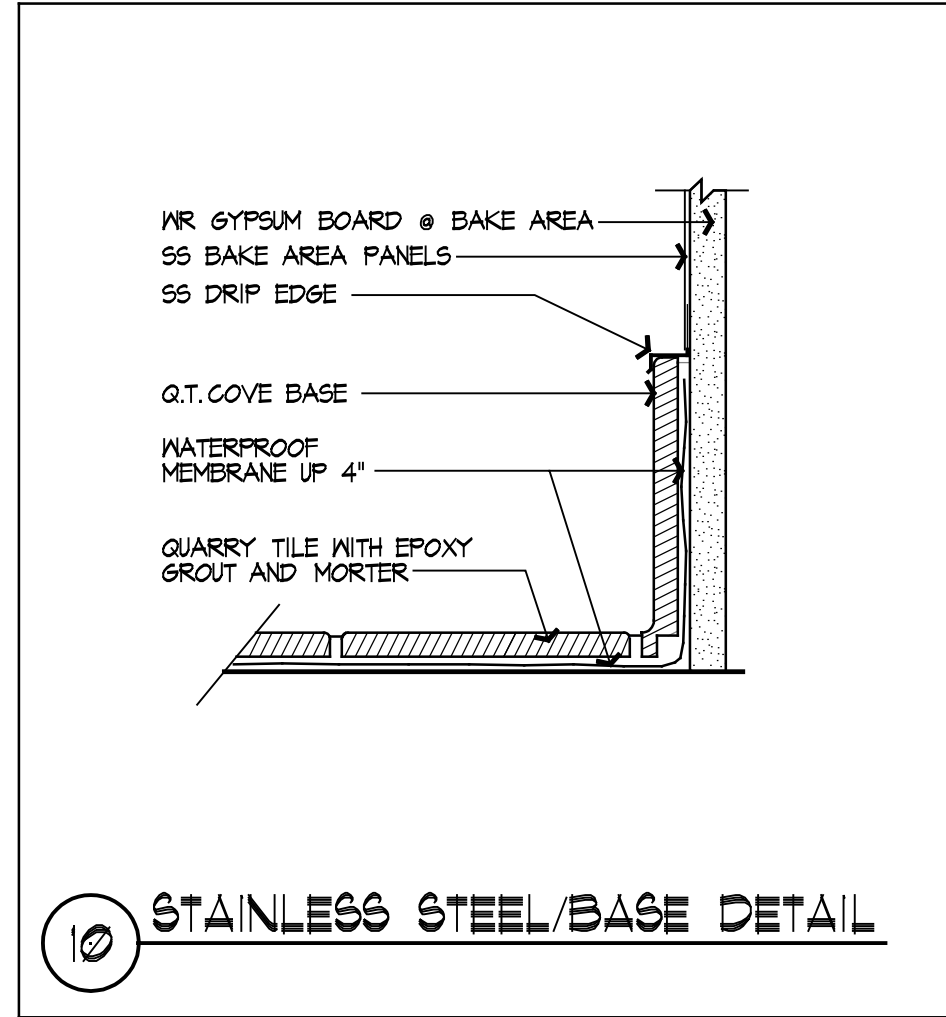
4 SERVICE LINE SOFFIT



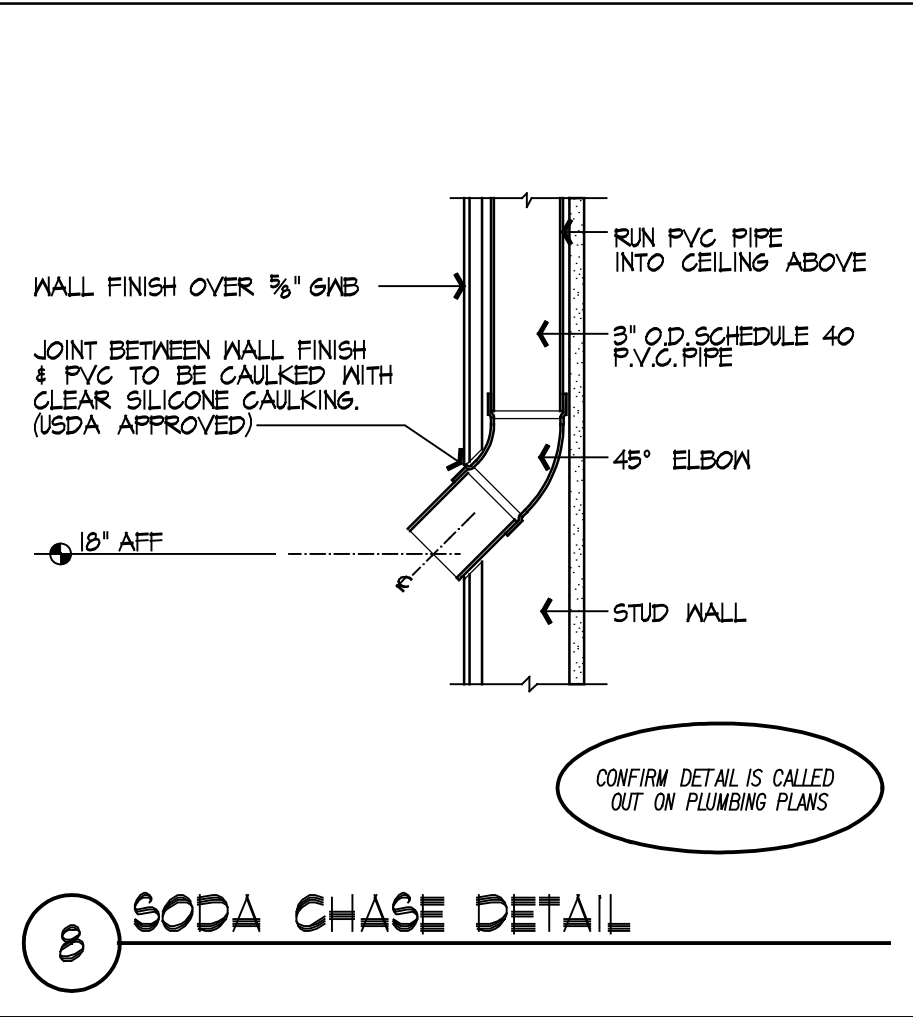
2 STOREFRONT WINDOW SILL DETAIL TYPICAL U.O.N.



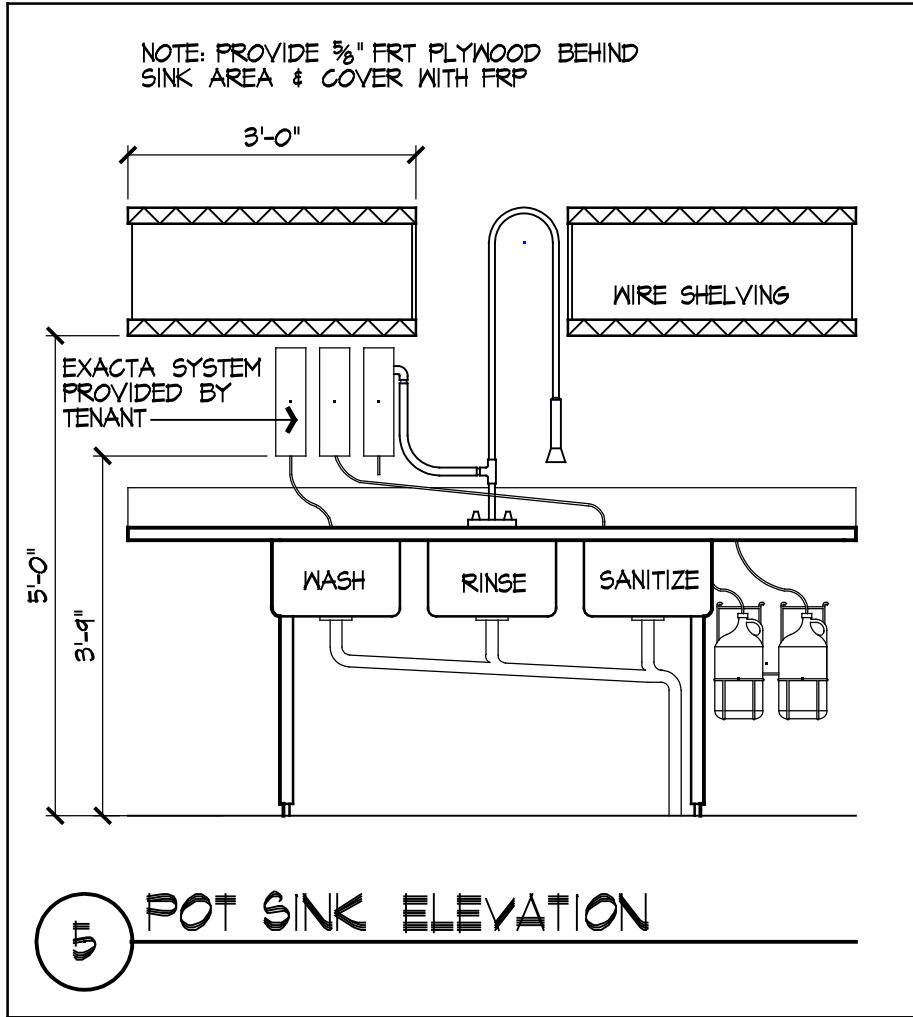
14 OVEN BASE DETAIL



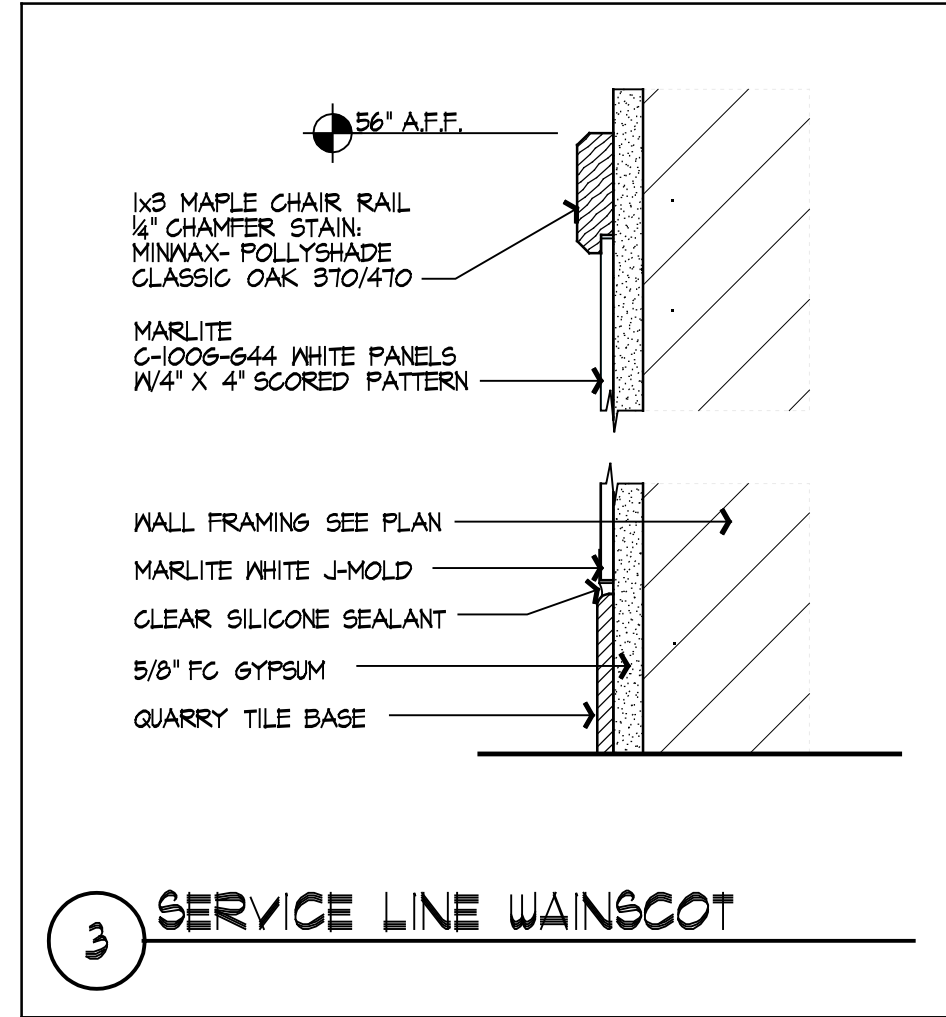
10 STAINLESS STEEL/BASE DETAIL



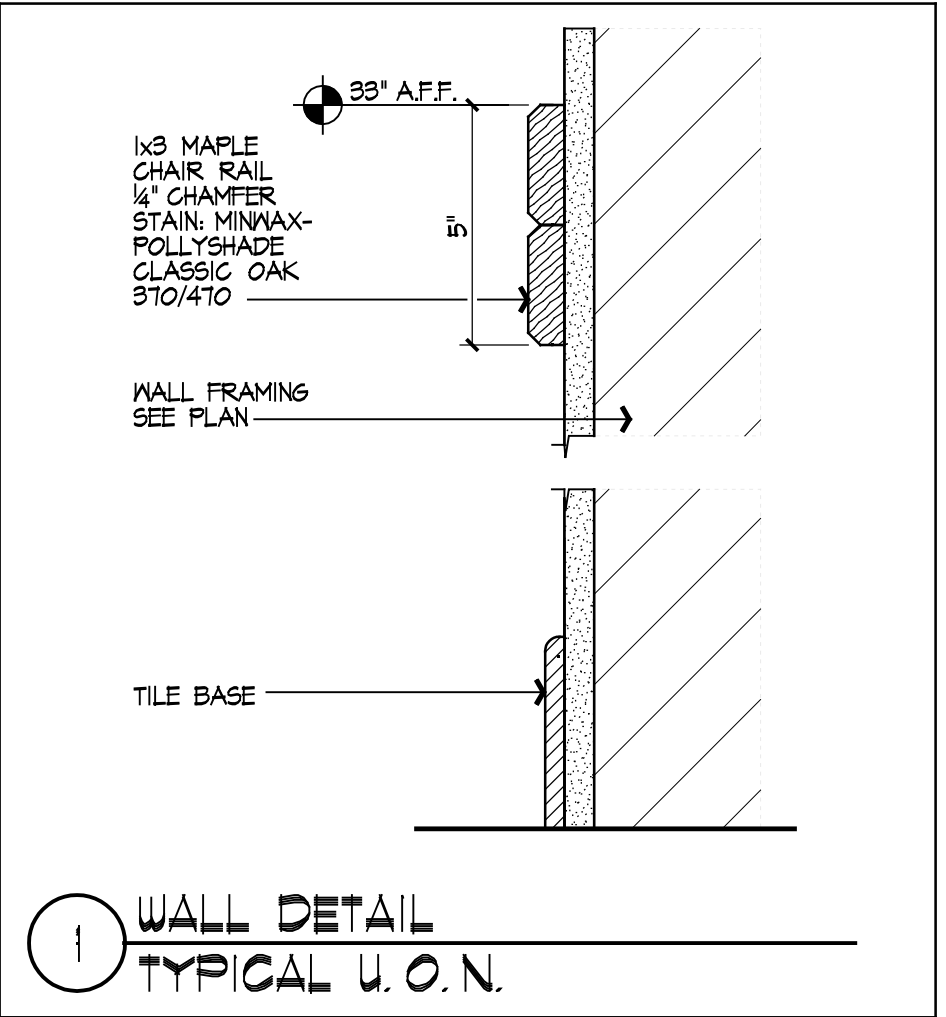
8 SODA CHASE DETAIL



5 POT SINK ELEVATION



3 SERVICE LINE WAINSCOT



1 WALL DETAIL TYPICAL U.O.N.

BRUEGGER'S AT WESTVILLE
 1460 WHALLEY AVE.
 NEW HAVEN, CONNECTICUT

BRUEGGER'S
 BAKED FRESH

BLACK RIVER DESIGN

INTERIOR DETAILS
 SCALE NTS
 DATE MAY 26, 2009
 DRAWN BY CN/MT
 CHECKED BY GT

A5